

LEVEL  
 ← →  
**SHAHBAZNAGAR**  
 (SZN)  
 CLASS B  
 STD-IIR

SUITABLE FOR 25KV AC TRACTION

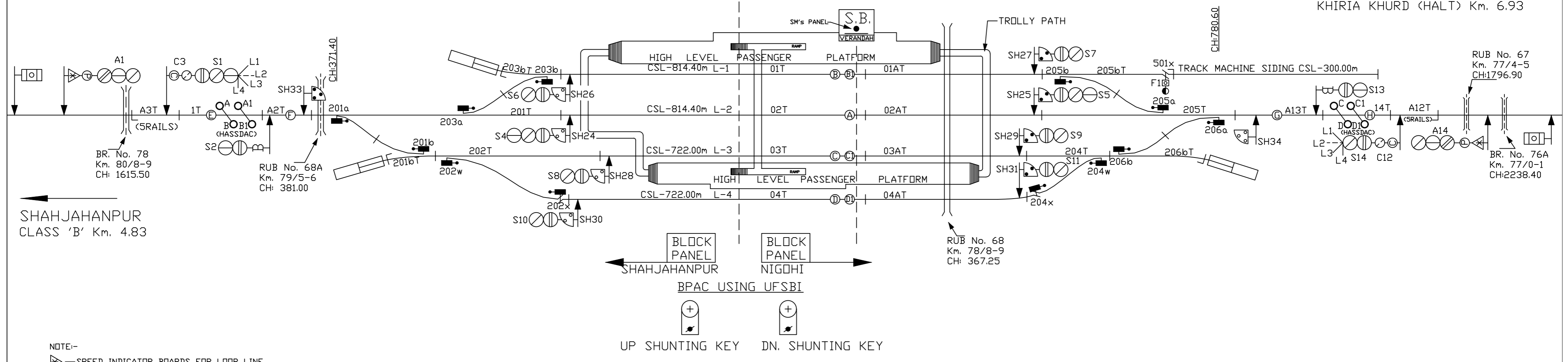
LEVEL 1 IN 722  
 CH1555.00

LEVEL 1 IN 722 1 IN 513  
 CH1245.00

UP

TO PILIBHIT Jn.

NIGDI CLASS 'B' Km. 19.71  
 DHAKIA TIWARI (HALT) Km. 13.82  
 ARELI (HALT) Km. 10.86  
 KHIRIA KHURD (HALT) Km. 6.93



NOTE:-  
 ▷ SPEED INDICATOR BOARDS FOR LOOP LINE  
 (15/30 KMPH AS THE CASE MAY BE).

SHAHJAHANPUR      NIGDI  
 BLOCK PANEL      BLOCK PANEL  
 BPAC USING UFSBI

UP SHUNTING KEY      DN. SHUNTING KEY