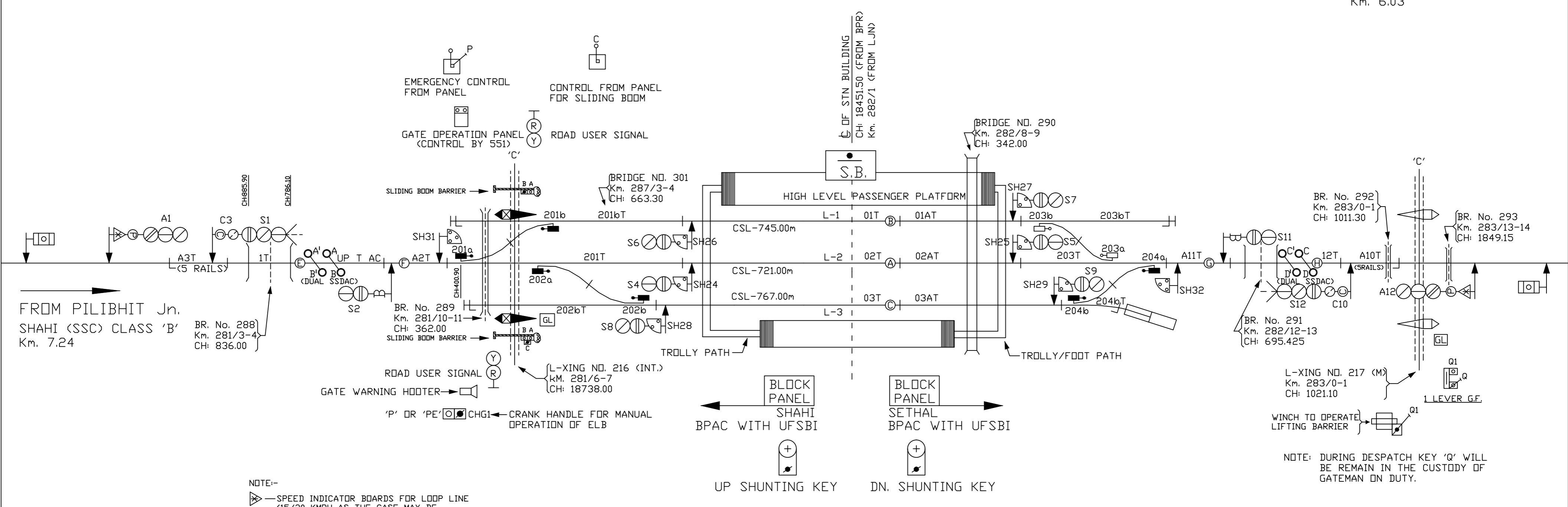


SUITABLE FOR 25KV AC TRACTION

BIJAURIA  
(BJV)  
CLASS B  
STD-IIR

UP

TO BHOJIPURA Jn.  
SETHAL (STH) CLASS 'B'  
Km. 6.03



NOTE:-  
SPEED INDICATOR BOARDS FOR LOOP LINE (15/30 KMPH AS THE CASE MAY BE).