

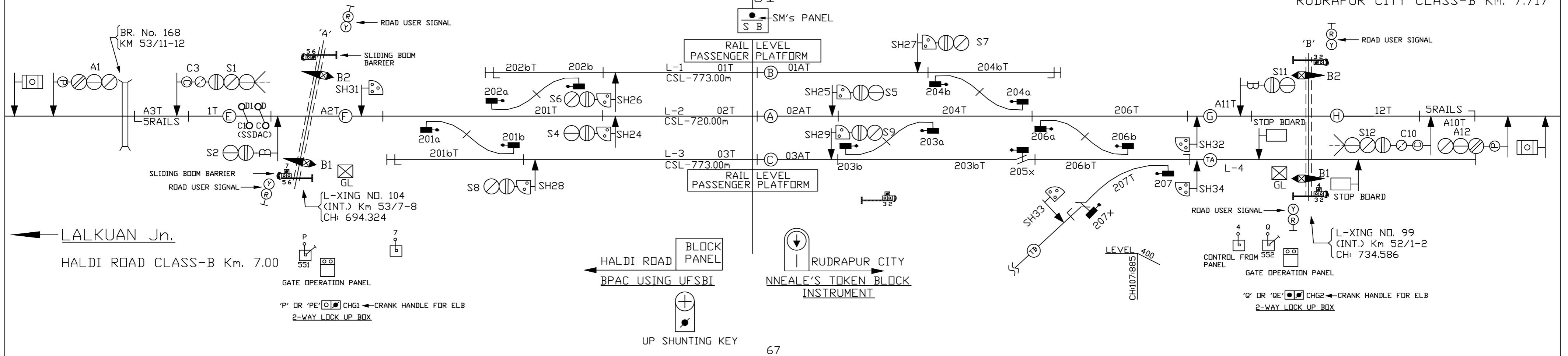
CHHATTARPUR
(CHAP)
CLASS B
STD-II (REVISED)

SUITABLE FOR 25 KV AC TRACTION

← UP

N

RAMPUR Jn. →
RUDRAPUR CITY CLASS-B Km. 7.717



'P' OR 'PE' CHG1 ← CRANK HANDLE FOR ELB
2-WAY LOCK UP BOX

'Q' OR 'QE' CHG2 ← CRANK HANDLE FOR ELB
2-WAY LOCK UP BOX

UP SHUNTING KEY