

BAMIANA  
(BMY)  
CLASS B  
STD-II (REVISED)

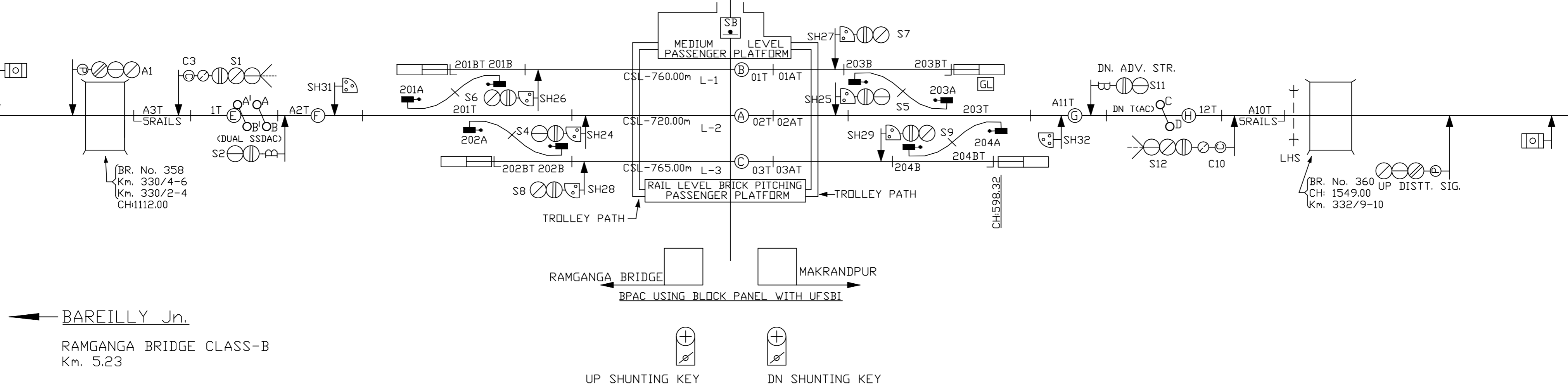
SUITABLE FOR 25KV AC TRACTION

UP

LEVEL RL IN 2000  
Km. 581.00

KASGANJ Jn. →  
MAKRANDPUR CLASS-B Km. 6.44

LEVEL RL IN 500  
Km. 973.00



← BAREILLY Jn.  
RAMGANGA BRIDGE CLASS-B  
Km. 5.23

UP SHUNTING KEY      DN SHUNTING KEY