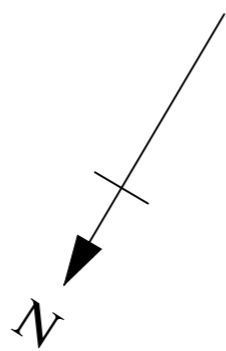


MAKRANDPUR
(MQP)
CLASS B
STD-II (REVISED)

SUITABLE FOR 25KV AC TRACTION



UP ←

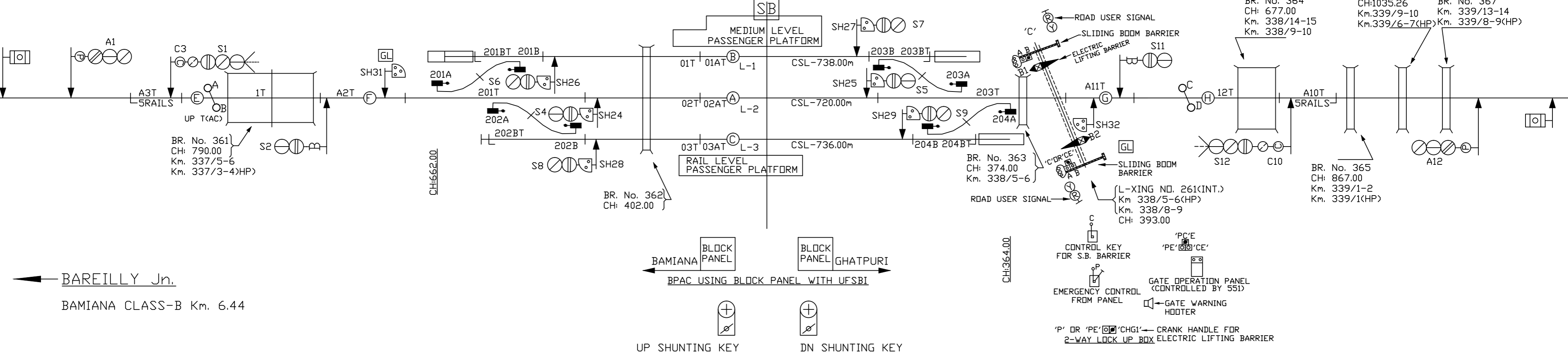
→ KASGANJ Jn.

GHATPURI CLASS-B Km. 12.47
KARTALI (HALT) Km. 6.20

DE. STN. BUILDING
CH: 0.00
Km. 17.70 Fm BRY
Km. 88.81 Fm KASGANJ
Km. 338/2-3
Km. 338/1-2

LEVEL F1 IN 400
CH: 23.00

F1 IN 400 LEVEL
CH: 56.00



← BAREILLY Jn.
BAMIANA CLASS-B Km. 6.44

BAMIANA BLOCK PANEL
GHATPURI BLOCK PANEL
BPAC USING BLOCK PANEL WITH UFSBI

UP SHUNTING KEY
DN SHUNTING KEY

CONTROL KEY FOR S.B. BARRIER
EMERGENCY CONTROL FROM PANEL
GATE OPERATION PANEL (CONTROLLED BY SSI)
GATE WARNING HODDER

'P' OR 'PE' OR 'CHG' - CRANK HANDLE FOR 2-WAY LOCK UP BOX ELECTRIC LIFTING BARRIER