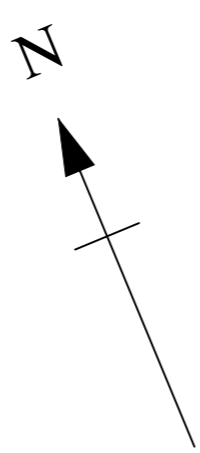


SUITABLE FOR 25KV AC TRACTION

RUDAIN  
(RDN)  
CLASS B  
STD-IIR

KANPUR CENTRAL  
KXF CLASS-B Km. 6.92



UP

6 OF STN. BUILDING  
Km. 183/5-6 Fm. GTR CNB

STN. PANEL  
S B

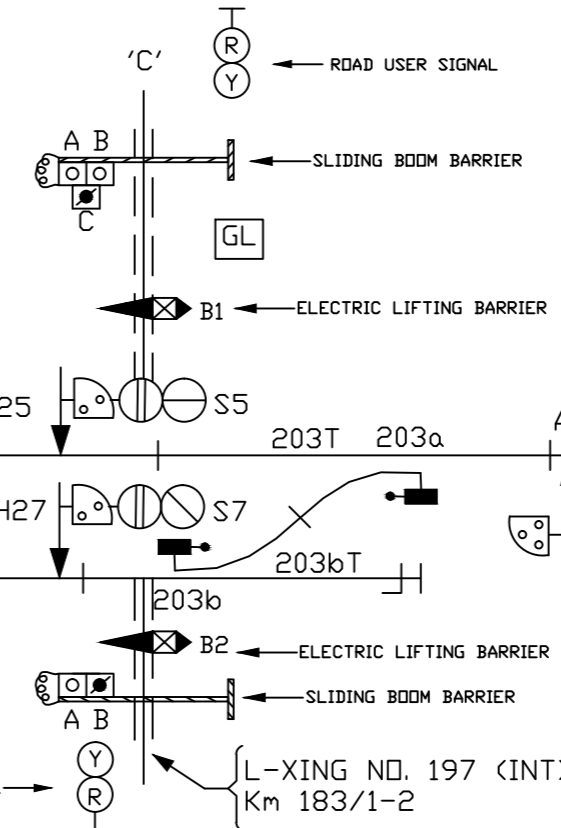
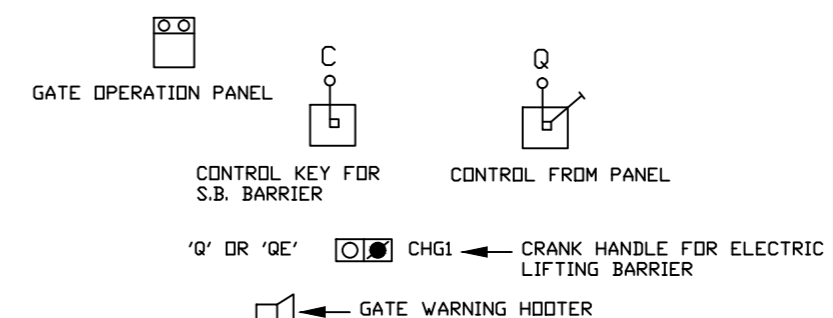
RL PASSENGER PLATFORM  
CSL-733.00m

01T L-1 01AT

02T L-2 02AT

BPAC USING BLOCK PANEL WITH UFSBI

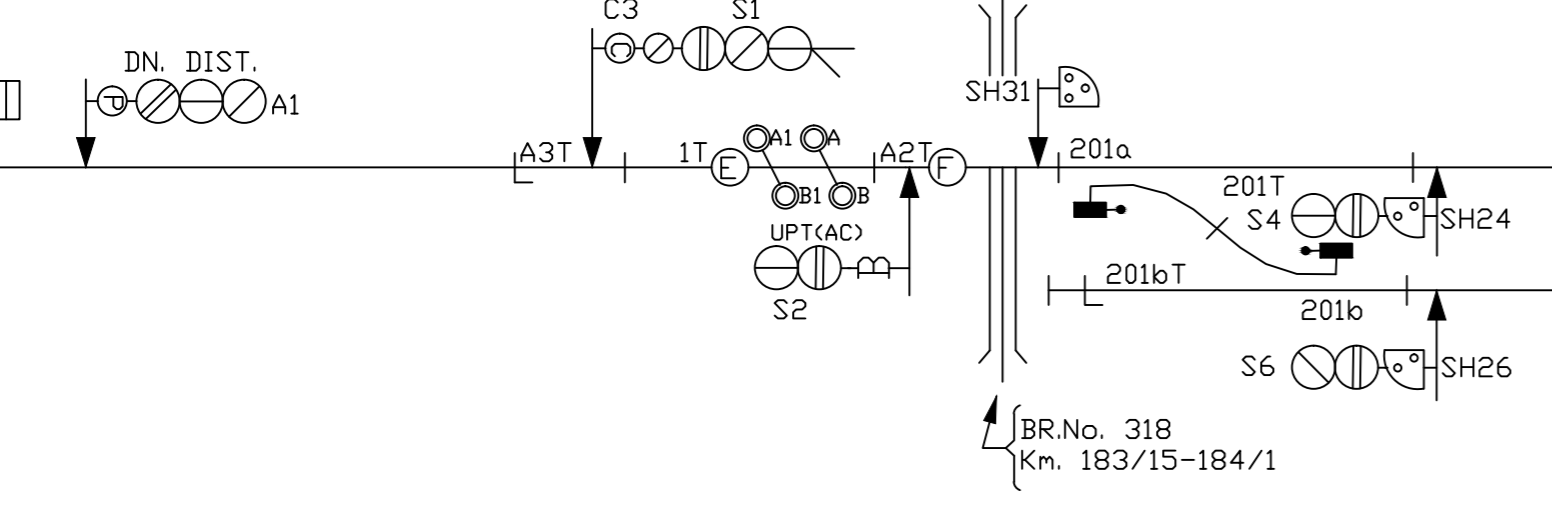
UP SHUNTING KEY DN. SHUNTING KEY



L-XING NO. 197 (INT)  
Km 183/1-2

BR.No. 317Km. 182/6-7

BR.No. 316 Km. 181/14-15



KASGANJ Jn.  
DRO CLASS-B Km. 10.46