

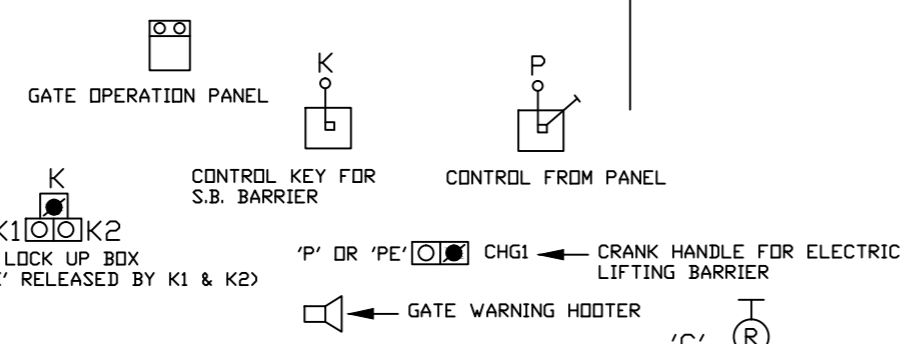
SAHAWAR TOWN
(SWRT)
CLASS B
STD-IIR

SUITABLE FOR 25KV AC TRACTION

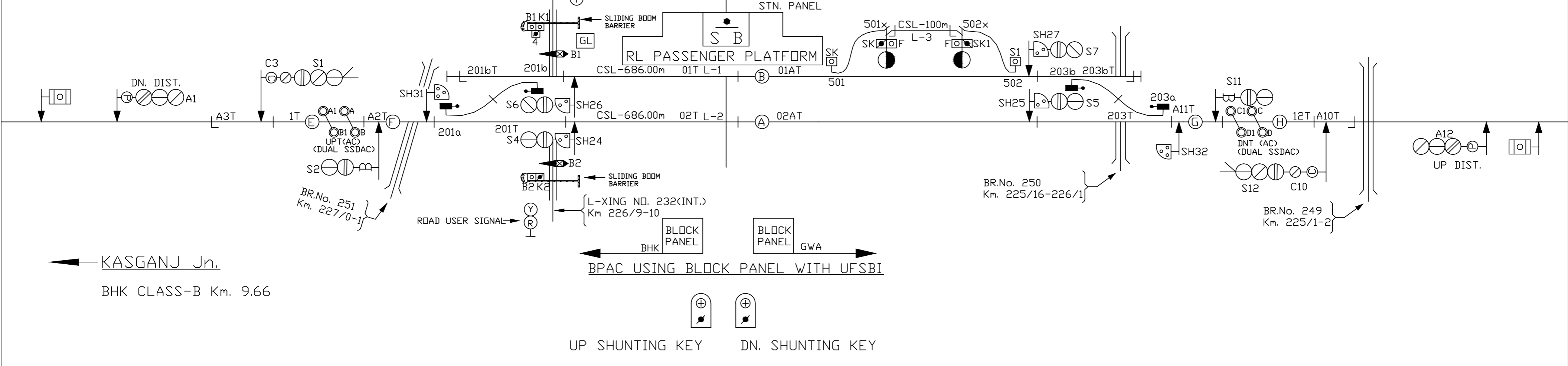
N

UP

KANPUR CENTRAL
GWA CLASS-B Km. 12.88



OF STN. BUILDING
Km. 226/9-10 Fm. GTR CNB



KASGANJ Jn.
BHK CLASS-B Km. 9.66