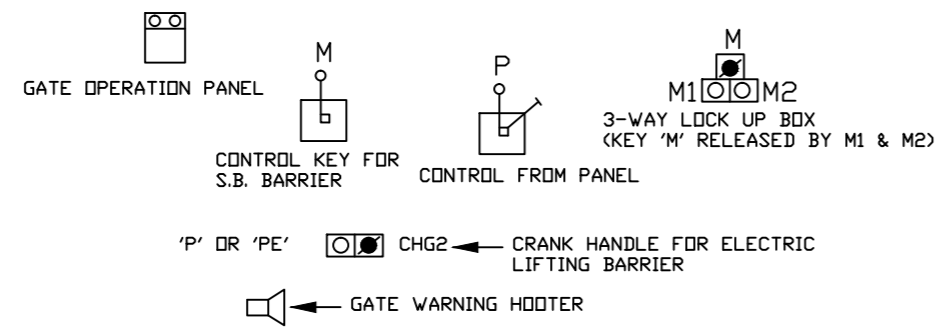
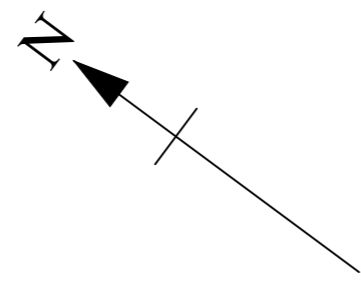


BADHARI KALAN
(BHK)
CLASS B
STD-IIR

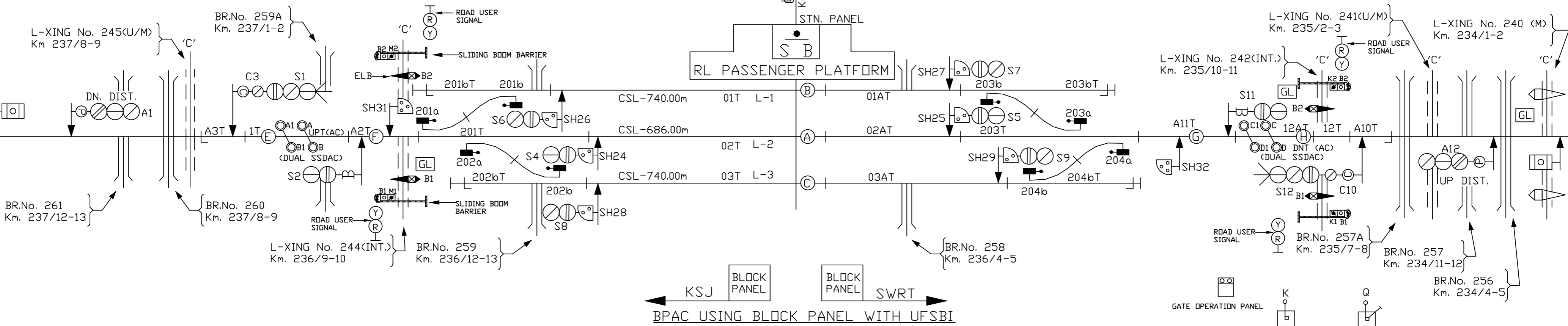
SUITABLE FOR 25KV AC TRACTION

KANPUR CENTRAL
SWRT CLASS-B Km. 9.66

UP



6 OF STN. BUILDING
Km. 236/7-8 Fr. GTR CNB



BPAC USING BLOCK PANEL WITH UFSBI

