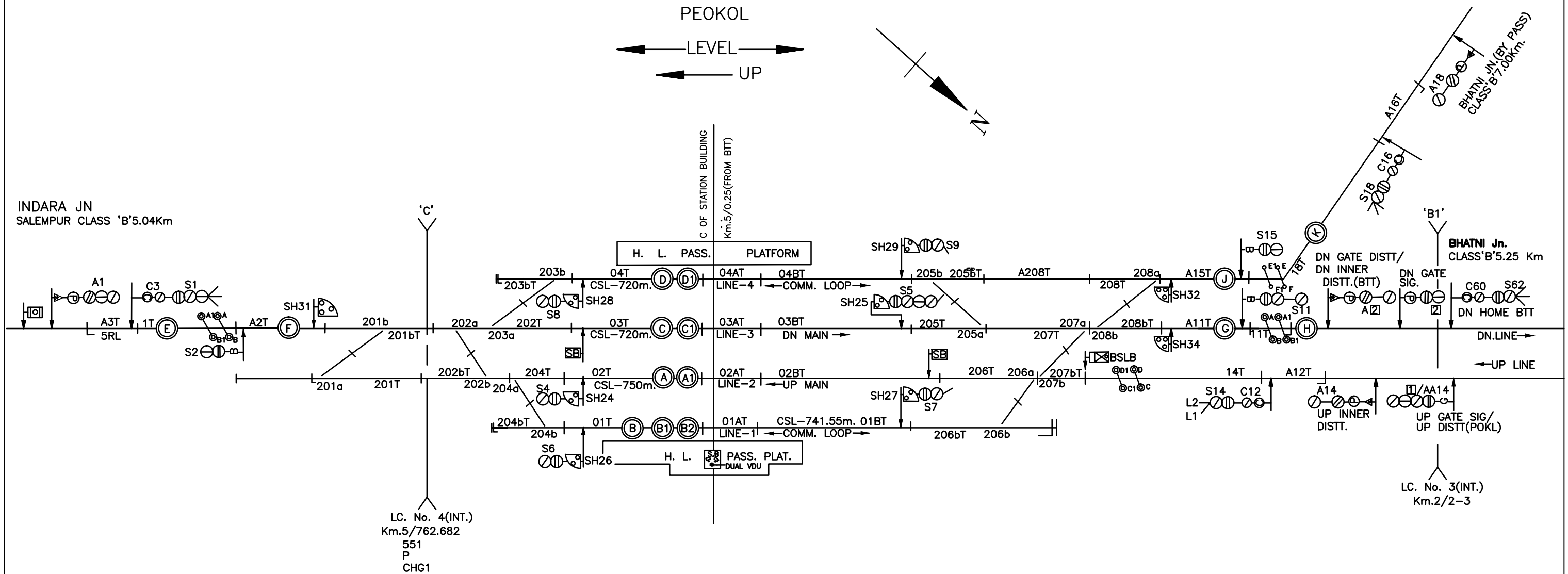


SUITABLE FOR 25K.V. AC TRACTION



NOTE-

1. GAUGE - B.G.
2. CLASS - B
3. STANDARD OF INTERLOCKING - II
4. BLOCK WORKING -
  - i. DOUBLE LINE BLOCK PANEL BPAC USING UFSBI ON SECTION PEOKOL -BHATNI Jn.
  - ii SINGLE LINE BLOCK PANEL BPAC USING UFSBI ON SECTION PEOKOL -SALEMPUR Jn.

NOT TO SCALE BASED ON RD No. .DSTE/CON/GKP/2023 (RD)/10 ALT-NILL

MINIATURE PLAN

PEOKOL  
(POKL)