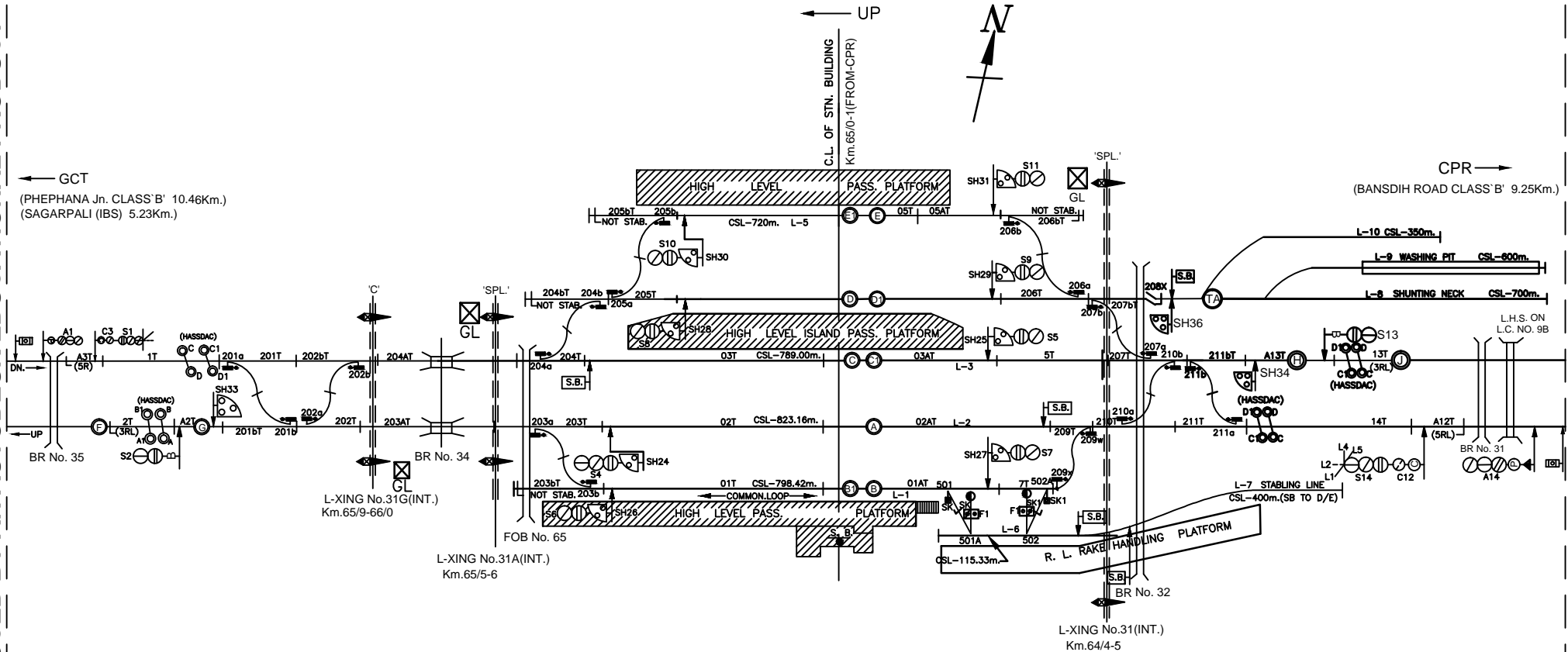


NORTH EASTERN RAILWAY

VARANASI DIVISION

PRODUCED BY AN AUTODESK EDUCATIONAL PRODUCT

PRODUCED BY AN AUTODESK EDUCATIONAL PRODUCT



NOTE-

1. GAUGE - B.G.
2. CLASS - B
3. STANDARD OF INTERLOCKING - II (R)
4. BLOCK WORKING -
 - i. BPAC USING BLOCK PANEL WITH UFSBI ON DOUBLE LINE SECTION BALLIA - BANSDIH ROAD
 - ii. LOCK & BLOCK INSTT. WITH IBS ON DOUBLE LINE SECTION BALLIA - PHEPHNA Jn.

NOT TO SCALE BASED ON R.D. No. Dy.CSTE /CON/ BSB / 2021(RD) /29 ALT-'NILL'

MINIATURE PLAN

BALLIA

(BUI)