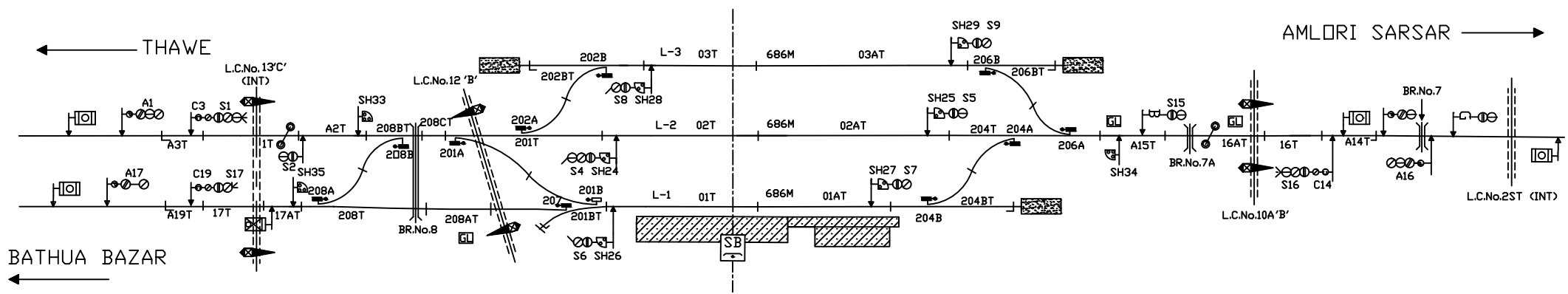


NORTH EASTERN RAILWAY

VARANASI DIVISION



← UP



NOTE-

1. GAUGE - B.G.
2. CLASS - B
3. STANDARD OF INTERLOCKING - III
4. BLOCK WORKING -
 - i. SINGLE LINE DIADO TOKENLESS BLOCK INSTT. WITH A/C ON SECTION HATHUA - THAWE
 - ii. SINGLE LINE DIADO TOKENLESS BLOCK INSTT. WITH A/C ON SECTION HATHUA - AMLORI SANSAR
 - iii. ONE TRAIN ONLY SYSTEM ON SECTION HATHUA - BATHUA BAZAR

MINIATURE PLAN

HATHUA Jn.
(HTW)

NOT TO SCALE

BASED ON RD No. SR.DSTE/BSB/2018(RD)/89 ALT-'A'