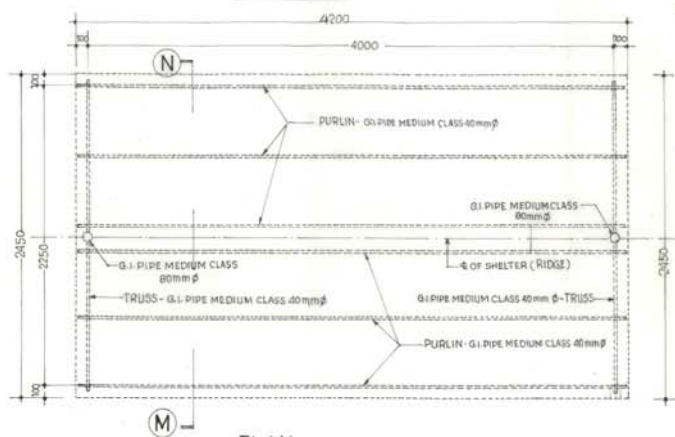
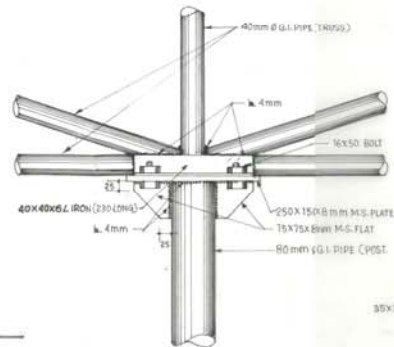


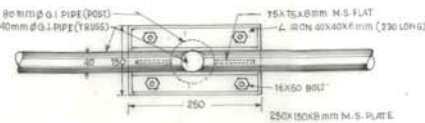
ELEVATION



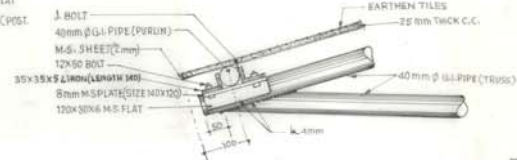
PLAN
Scale - 1:20



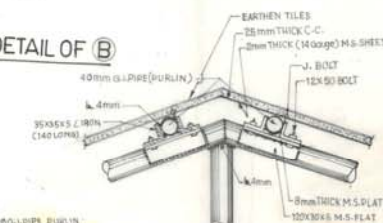
ELEVATION



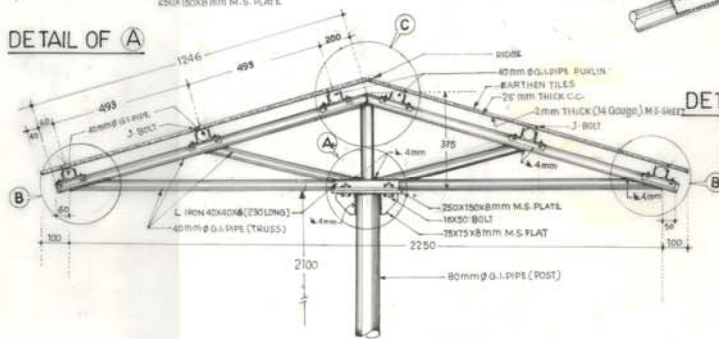
DETAIL OF A



DETAIL OF B



DETAIL OF C



SECTION ON M/M

LEGEND OF THE MATERIAL REQUIRED

Sl. No	Name of component	Qty.	Material Total
1.	2mm THICK (14 GAUGE) M.S. SHEET (Size 26 X 1-1)	04	11.44 m ²
2.	G.I. PIPE MEDIUM CLASS 80mm Ø	2 X 2.9 m	05.80 m
3.	PURLIN - G.I. PIPE MEDIUM CLASS 40mm Ø	6 X 2.2 m	25.20 m
4.	TRUSS - G.I. PIPE MEDIUM CLASS 40mm Ø	2 X 2.25 m	04.50 m
		4 X 2.46 m	09.84 m
		2 X 0.255 m	0.590 m
		4 X 0.631 m	2.524 m
	40mm TOTAL G.I. PIPE =		42.652 m.

Note:- Wastage of pipe shall be taken into account by the indenting unit.

NOTE:-

1. ALL DIMENSIONS ARE IN MILLI METRE.
2. ALL PIPE MEMBERS SHALL CONFORM TO MEDIUM CLASS AS PER IS:1239 (PART-1) 1990.
3. THE SIZE OF FILLET WELD SHALL BE 4mm.
4. ALL WELDED JOINTS SHALL BE PAINTED WITH RED LEAD PRIMER FOR PREVENTION OF CORROSION.

CPDE	<i>Red</i> 21.2.2008
DYCE/P&D	<i>Kugan</i> 17/11/08
XEN/D	<i>L. Srinivas</i>
AXEN/D	<i>A.P. Srinivas</i> 17/11/08
AXEN/PL	<i>S. Srinivas</i> 17/11/08

OFFICER'S SIGNATURE

C.E'S TYPE PLAN No GMLT-2008
T-901001

NORTH EASTERN RAILWAY

TYPE PLAN
WATER BOOTH COVERING WITH
M.S. SHEET AND EARTHEN TILES.

Scale 1:20 and 1:10

Hq. File No W/81/1/DRG/PL/28/PF-II

SSE/ID/Ha
J.E./Drg/Ha
SSE/DRG/Ha