

NORTH EASTERN RAILWAY

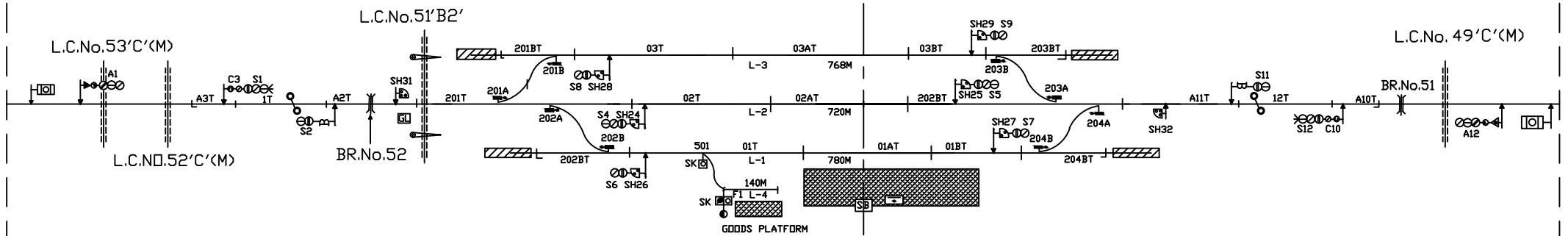
VARANASI DIVISION



← UP

← KHORASAN ROAD

PHARIHA →



- NOTE -
1. GAUGE - B.G.
 2. CLASS - B
 3. STANDARD OF INTERLOCKING - II-R
 4. BLOCK WORKING -
 - i. S/L BPAC WITH UFSBI ON SECTION SARAIMIR - PHARIHA.
 - ii. S/L BPAC WITH UFSBI ON SECTION SARAIMIR - KHORASAN ROAD

MINIATURE PLAN

SARAIMIR
(SMZ)

NOT TO SCALE

BASED ON RD No. DSTE/CDN/HQ/2017(RD)/03 ALT-'B'